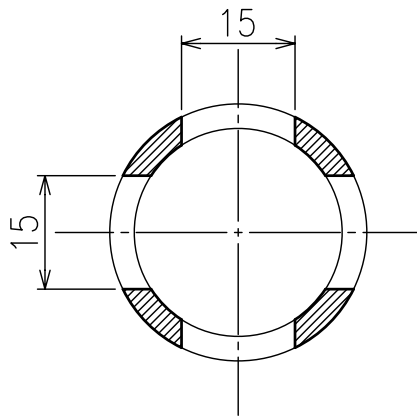
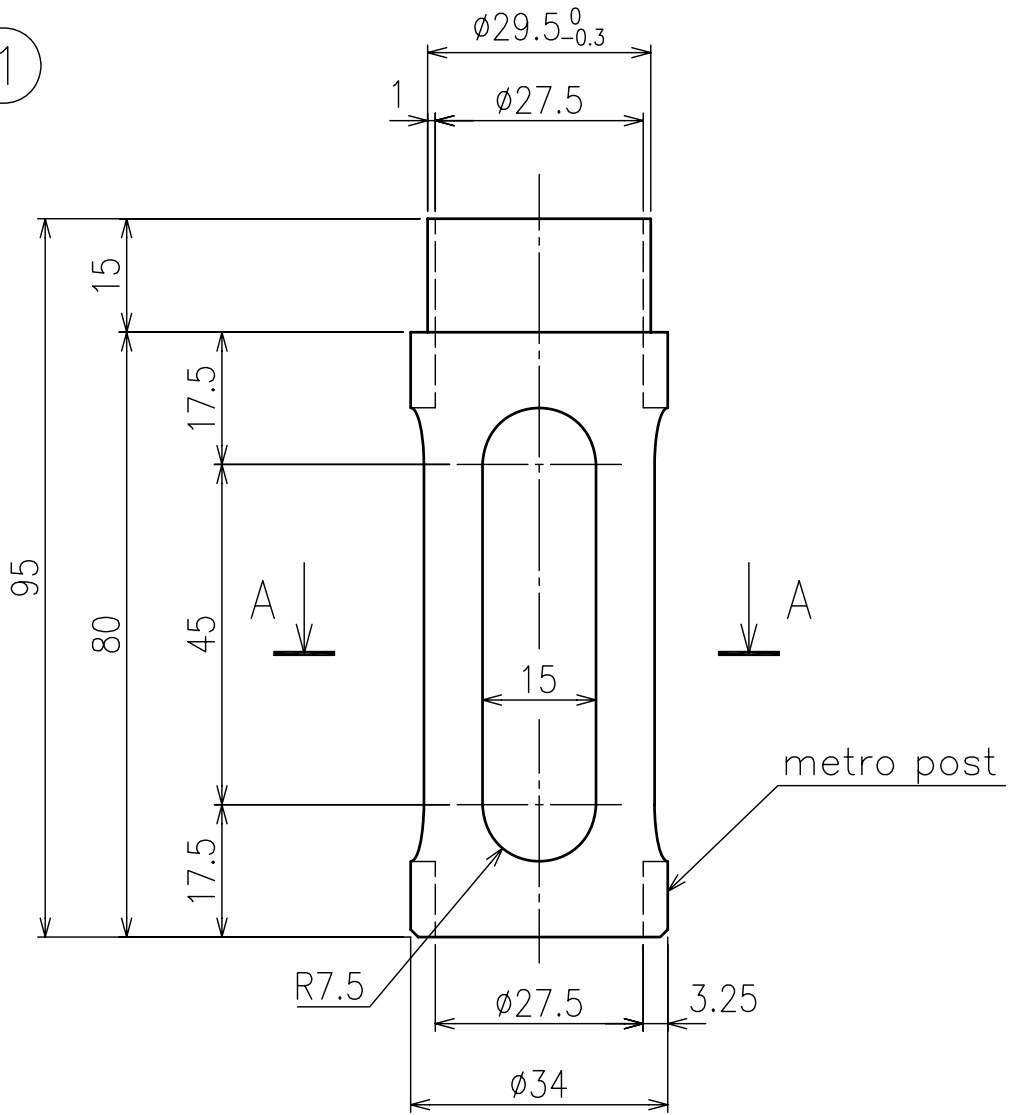


1



section A-A

1	Post extender	A5052	1	41.5g	
No	Name	Material	Qty	Weight	Remarks
暗黒技術研究所 angiken		scale	1:1		
		name	Post extender		
		dwg no.	AN0006		