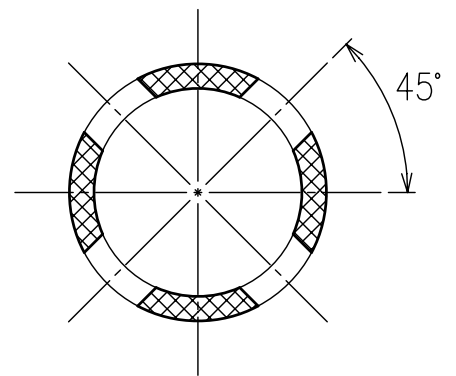


section A-A



section B-B

1	Post extender		1	47.0g	
No	Name	Material	Qty	Weight	Remarks
暗黒技術研究所 angiken		scale	1:1		
		name	Post extender		
		dwg no.	AN0007		